



# 5-7t

## G SERIES LPG/DUAL FUEL FORKLIFT



- › Fashion, sporty, modern design with streamline appearance.
- › Double suspension system reduced vibration and relieved drive's fatigue.
- › Full sealed cab and optimize design of engine accessory greatly reduced noise in ears and truck sound power level.
- › Dual cylinder design doubles endurance mileage , cylinder with spring booster bracket makes replacement more easier.
- › Interaction man-machine design improve driving comfortability ; wider vision lift system makes wider view.
- › Standard electric hydraulic reversing system realizes light and easy operation, upgrade whole new gear shifting system avoids starting with second gear, improving transmission's reliability.
- › Wider internal space, logical accessory layout and maximum 80 degrees hood open angle make maintenance easier.
- › Applying CAE design for key parts like frame and mast ,greatly increase in strength ,make forklift more solid

**HELI**  
LIFTING THE FUTURE



TOP1 FORKLIFT MANUFACTURER AND SELLER  
IN CHINA FOR CONSECUTIVE 24 YEARS

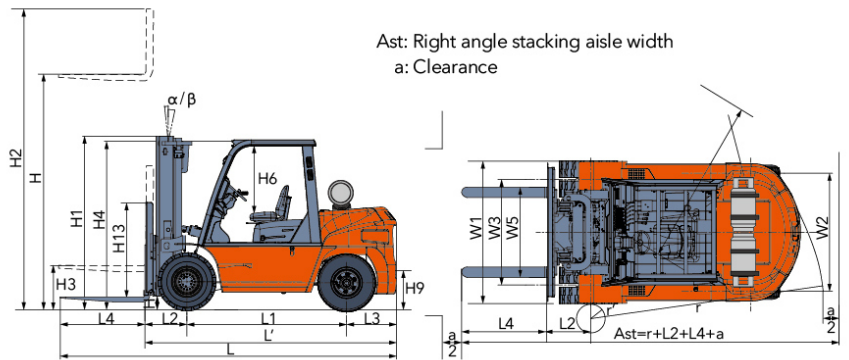
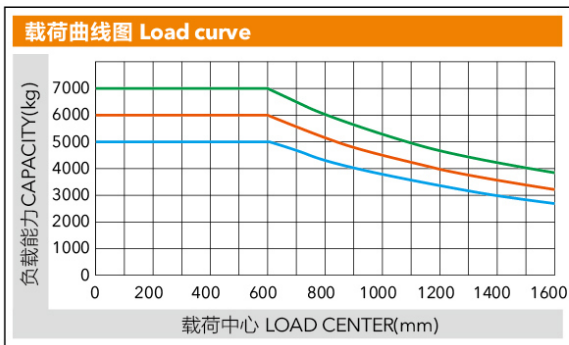


**G SERIES LPG/DUAL FUEL  
FORKLIFT**

# 5-7t

Characteristics					
1.01	Manufacturer	<b>HELI</b>			
1.02	Model		CP(Q)(Y)D50-TY1G	CP(Q)(Y)D60-TY1G	CP(Q)(Y)D70-TY1G
1.03	Load Capacity	kg	5000	6000	7000
1.04	Load Center	mm	600		
1.05	Power Type	Gasoline or LPG			
1.06	Driving style	Seated			
Tire					
2.01	Front Tire / Rear Tire	8.25-15-14PR			
Dimension Parameter					
3.01	Lifting Height(standard)	H	mm	3000	
3.02	Mast Tilt(fwd/bwd)	$\alpha / \beta$	deg	6/12	
3.03	Min.Turning Radius	r	mm	3240	3300 3370
3.04	Overall Length(with Forks)	L	mm	4710	4790 4840
3.05	Overall Width	W1	mm	2045	
3.06	Overall Height(mast without activity)	H4	mm	2450	
3.07	Wheel Base	L1	mm	2300	2300 2300
3.08	Tread(fwd/bwd)	W3/W2	mm	1520/1700	1520/1700 1520/1700
3.09	Overhang(fwd/bwd)	L2/L3	mm	590/600	595/675 600/720
3.10	Min.Under clearance	H5	mm	200	
3.11	Lateral Fork Adjustment(Outside of Forks)	W5	mm	300-1835	
3.12	Fork Length	L4	mm	1220	
3.13	Fork Width/Thickness	W/T	mm	55/150	60/150 65/150
Performance Parameter					
4.01	Lifting Speed(Loaded/Unloaded)	mm/s	390/410	390/410	390/410
4.02	Lowing Speed	mm/s	WITHOUT LOAD $\geq$ 300 WITH FULL LOAD $\leq$ 600		
4.03	Traveling Speed(Loaded/Unloaded)	km/h	26/30	26/30	26/30
4.04	Max.Gradeability(Loaded/Unloaded)	%	38/19	35/19	31/19
Engine and Gearbox					
5.01	Engine Manufacturer/Model	Non-certified GM4.3			
5.02	Cyl. Number	/L	6		
5.03	Displacement	Kw/rpm	4.3		
5.04	Rated Power/Rated Speed	Nm/rpm	76/2300		
5.05	Max. Torque/Rated Speed		324/1700		
5.06	Gearbox	Intelligent gear shifting			

CP(Q)(Y)D50    CP(Q)(Y)D60    CP(Q)(Y)D70



**ANHUI HELI CO., LTD.**

ADD: NO.668 Fangxing Street,Economical Development Zone,Hefei,P.R.China  
 TEL : (86 551) 63639068,63639258,63639358,63662105  
 FAX : (86 551) 63639966  
 WEBSITE : <http://www.helichina.net>  
 Email : heli@helichina.net

\* Details of specifications and equipment are based on information available at time of printing and may change without notice.

AUTHORIZED DEALER